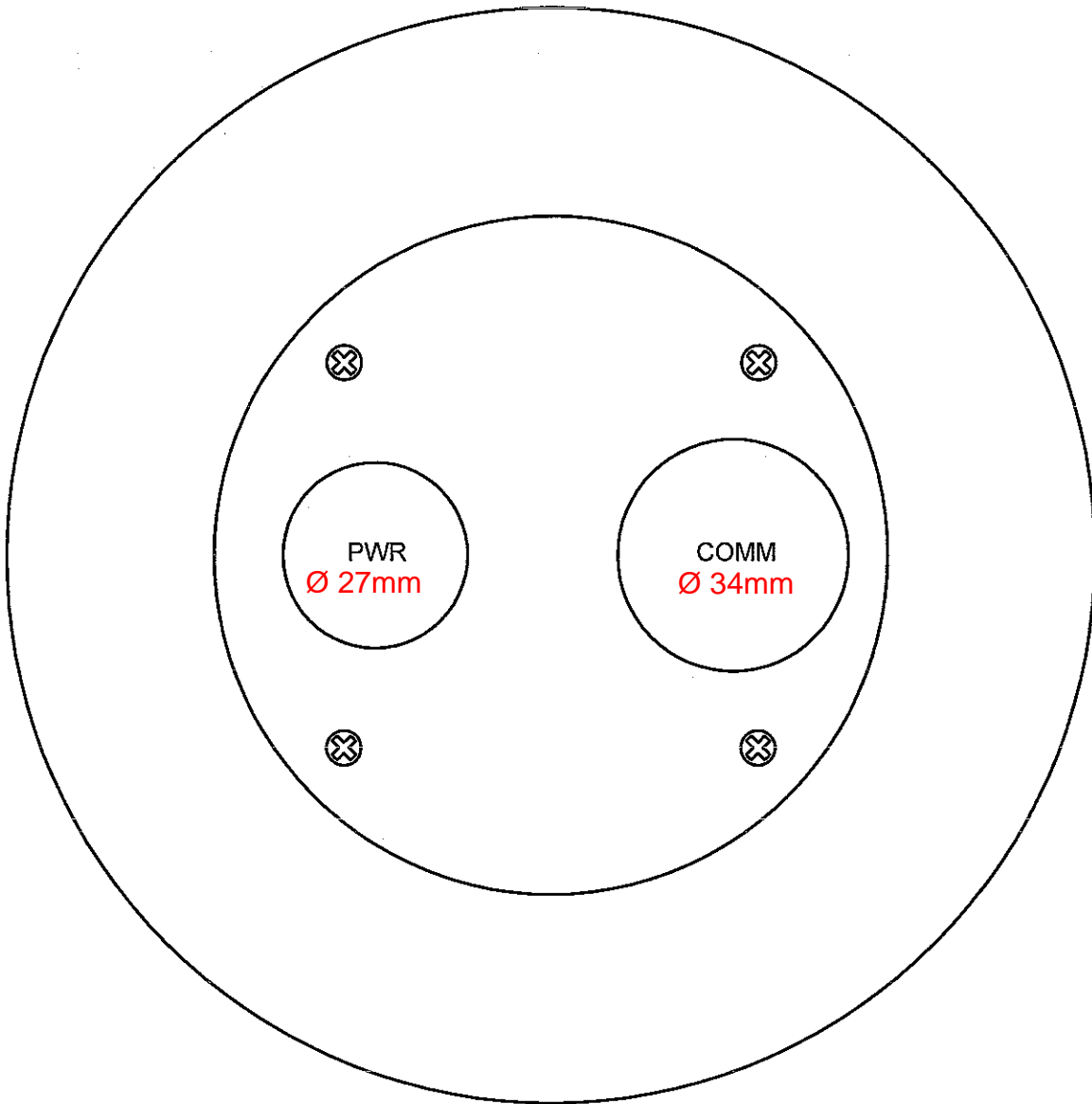


6" DIA.



MOI-SYS-COMM

System Furn Conn outlet

(openings for "pass through" power & or comm cords)

ORDERING INFO-(SEE ABBREVIATIONS)

SLAB THICKNESS _____
 RECEPT.TYPE/colour _____
 DATA MANUF./colour _____
 COVER TYPE _____

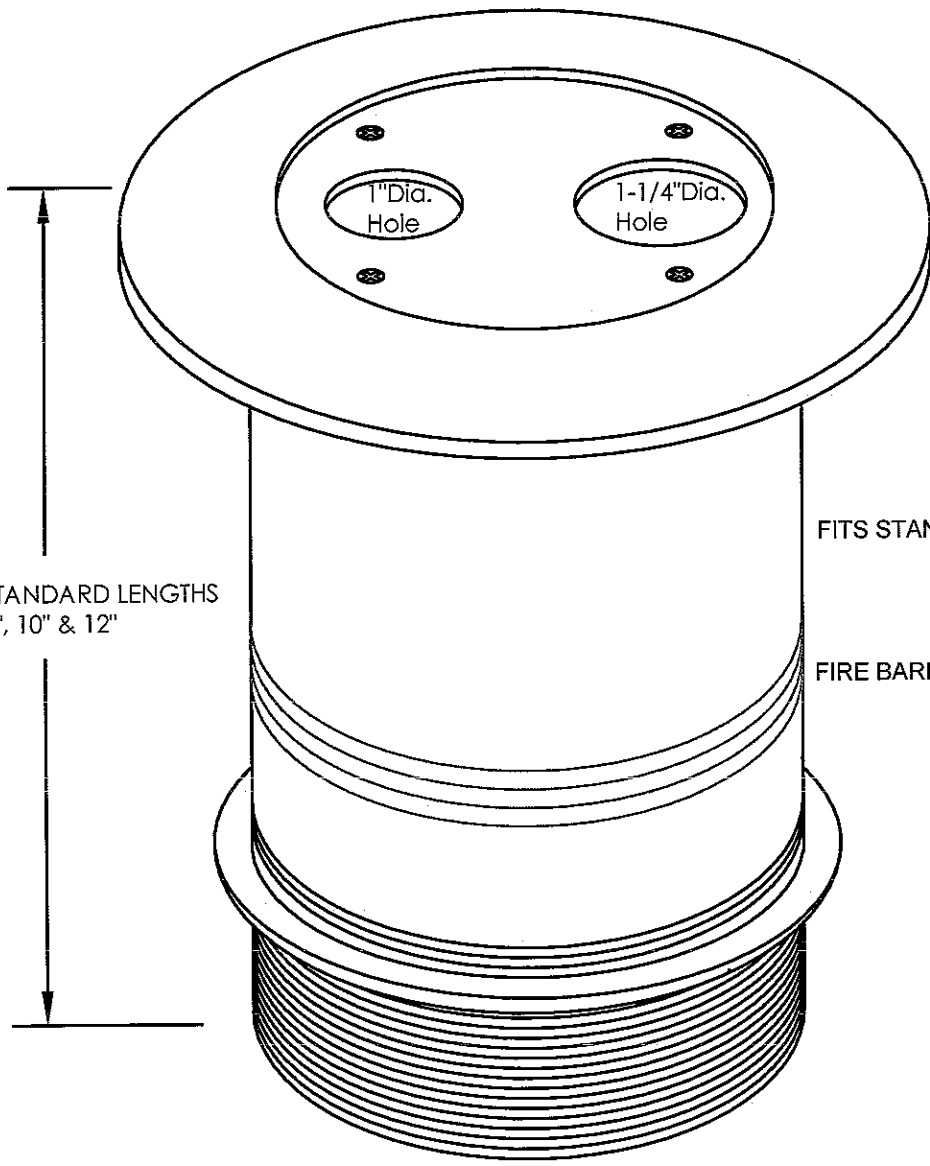
PROPRIETARY AND CONFIDENTIAL

THE INFORMATION CONTAINED IN THIS DRAWING IS THE SOLE PROPERTY OF NOCOM. ANY REPRODUCTION IN PART OR AS A WHOLE WITHOUT THE WRITTEN PERMISSION OF NOCOM IS PROHIBITED.

			DIMENSIONS ARE IN MM TOLERANCES: ANGLES: ± DEGREE LINEAR: ± MM (UNLESS SPECIFIED)	NAME	DATE (yy-mm-dd)	JOB TITLE:
				DRAWN	TJP	10-01-06
				CHECKED		
				ENG. APPR.		
				MFG APPR.		
			MATERIAL	Q.A.		
			See Variant table	COMMENTS:		
			FINISH			
NEXT ASST	USED ON					
		APPLICATION	DO NOT SCALE DRAWING			

MULTICONNECTTH
 by **NOCOM[®]**
 888-225-2478 www.nocom.ca
 SIZE DWG. NO. REV.
 A MOI-SYS-COMM
 SCALE=1:1 WEIGHT: SHEET 1 OF 3

COVER PER SUBMITTAL



PASS THROUGH
openings for cables

STANDARD LENGTHS
8", 10" & 12"

FITS STANDARD 4" CORED HOLE

FIRE BARRIER-2 HOUR UL

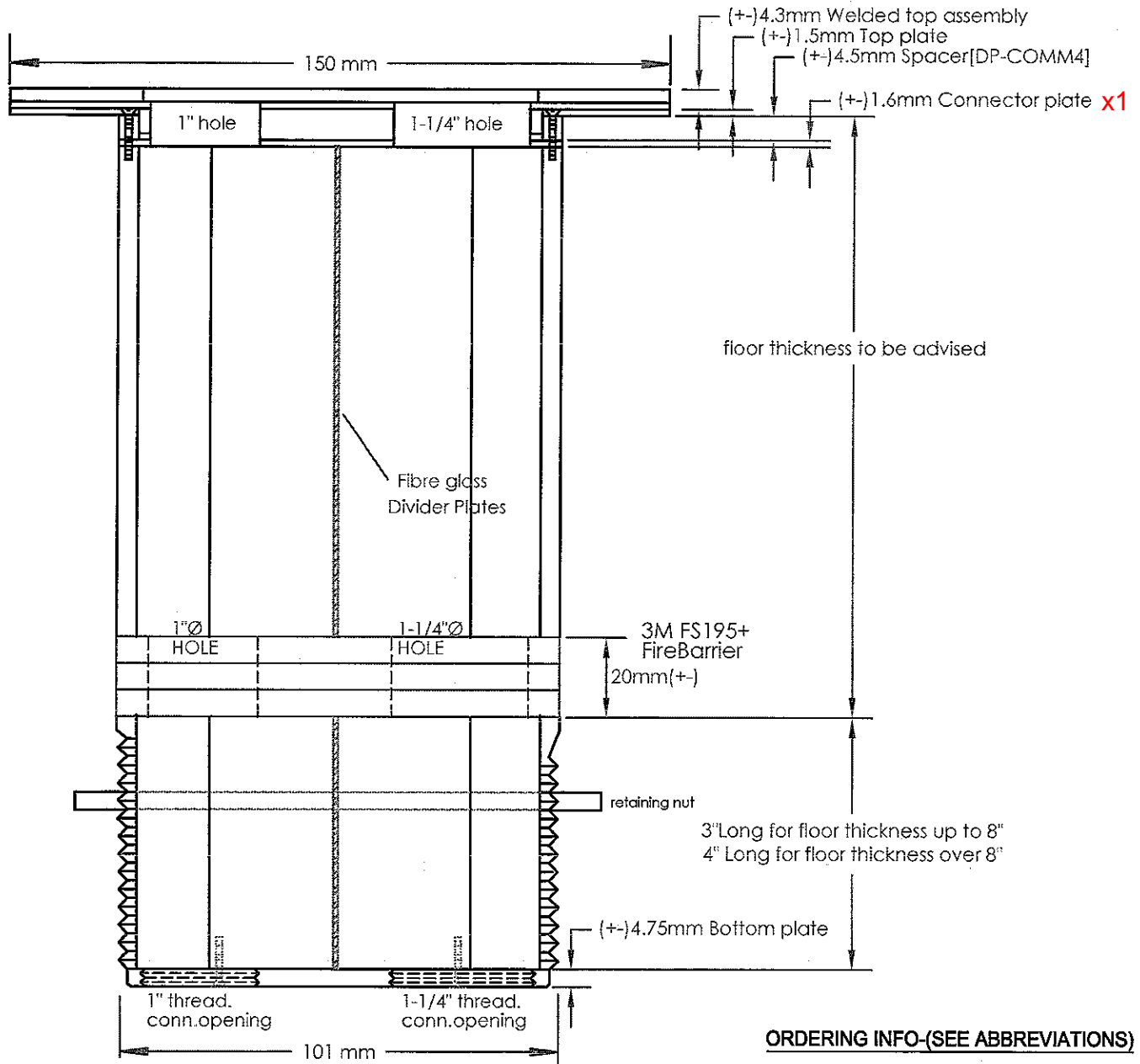
ORDERING INFO-(SEE ABBREVIATIONS)

SLAB THICKNESS _____
 RECEPT.TYPE/colour _____
 DATA MANUF./colour _____
 COVER TYPE _____

PROPRIETARY AND CONFIDENTIAL

THE INFORMATION CONTAINED IN THIS DRAWING IS THE SOLE PROPERTY OF NOCOM. ANY REPRODUCTION IN PART OR AS A WHOLE WITHOUT THE WRITTEN PERMISSION OF NOCOM IS PROHIBITED.

		DIMENSIONS ARE IN MM TOLERANCES: ANGLES: ± DEGREE LINEAR: ± MM (UNLESS SPECIFIED)		NAME	DATE (yy-mm-dd)	JOB TITLE:	
				DRAWN	TJP	10-01-06	
				CHECKED			
				ENG. APPR.			
				MFG APPR.			
				Q.A.			
				COMMENTS:			
MATERIAL		See Variant table					
FINISH							
NEXT ASST	USED ON						
APPLICATION		DO NOT SCALE DRAWING					
<p>MULTICONNECTTH by NOCOM[®] 888-225-2478 www.nocom.ca</p>				SIZE	DWG. NO.	REV.	
A				MOI-SYS-COMM			
SCALE=n.1.s.				WEIGHT:		SHEET 2 OF 3	



all tolerance (+ -) = 0.3mm

ORDERING INFO-(SEE ABBREVIATIONS)

SLAB THICKNESS _____
 RECEPT.TYPE/colour _____
 DATA MANUF./colour _____
 COVER TYPE _____

PROPRIETARY AND CONFIDENTIAL

THE INFORMATION CONTAINED IN THIS DRAWING IS THE SOLE PROPERTY OF NOCOM. ANY REPRODUCTION IN PART OR AS A WHOLE WITHOUT THE WRITTEN PERMISSION OF NOCOM IS PROHIBITED.

		DIMENSIONS ARE IN MM TOLERANCES: ANGLES: ± DEGREE LINEAR: ± MM (UNLESS SPECIFIED)		DRAWN	NAME	DATE	JOB TITLE:
				TJP		10-02-20	
				CHECKED			
				ENG. APPR.			
				MFG APPR.			
				Q.A.			
				COMMENTS:			
NEXT ASST	USED ON	MATERIAL		888-225-2478			
		See Variant table		www.nocom.ca			
		FINISH		SCALE	DWG. NO.	REV.	
APPLICATION	DO NOT SCALE DRAWING			A	MOI-SYS-COMM		
				SCALE=1:1	WEIGHT:	SHEET 3 OF 3	



by NOCOM

888-225-2478 www.nocom.ca

MOI-SYS-COMM

SCALE=1:1 WEIGHT: SHEET 3 OF 3