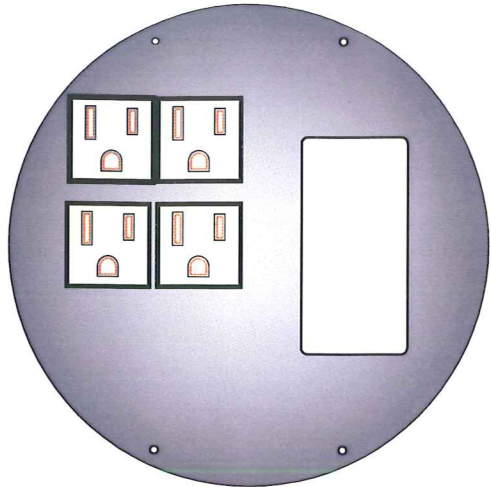


6" Dia

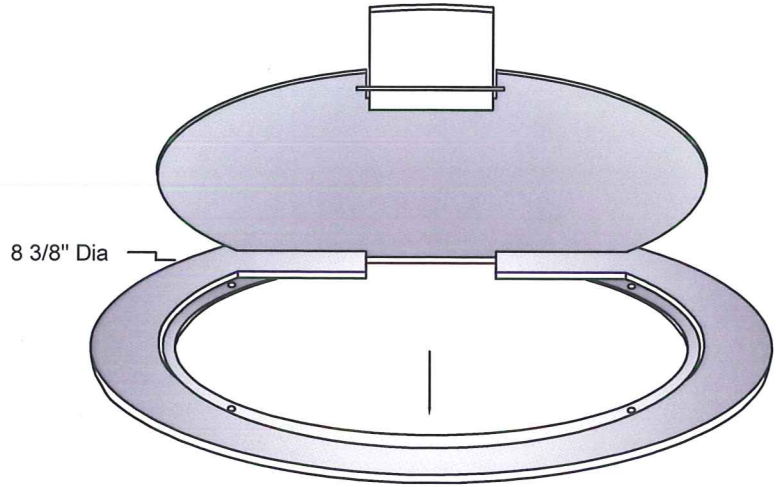


TOP VIEW
device plate

MOI-RF-PWR4-DP

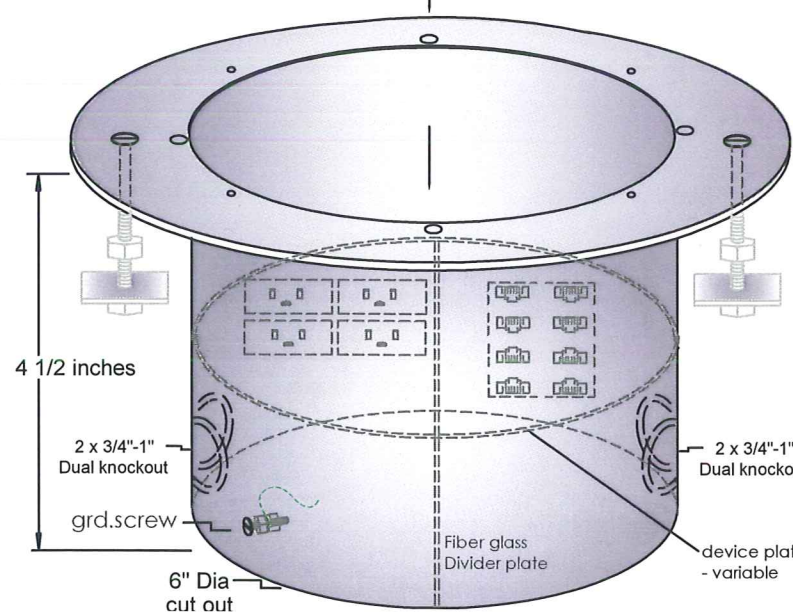
NOTE:
Single receptacles shall be CSA / UL
Recognized/Classified or Listed
Keystone style openings, blanks or
CSA/UL Recognized/ Classified or Listed
comm jacks

CROSS SECTION
8" round raised floor box



COVER PER SUBMITTAL

8" TOP PLATE



8" FLANGE PLATE

SCREW-FULL THREAD

FLOOR LOCK

8" WELDED TUBE

4 1/2 inches

2 x 3/4"-1" Dual knockout

2 x 3/4"-1" Dual knockout

grd.screw

6" Dia cut out

Fiber glass Divider plate

device plates - variable

PROPRIETARY AND CONFIDENTIAL
THE INFORMATION CONTAINED IN THIS DRAWING IS THE SOLE PROPERTY OF NOCOM. ANY REPRODUCTION IN PART OR AS A WHOLE WITHOUT THE WRITTEN PERMISSION OF NOCOM IS PROHIBITED.

		DIMENSIONS ARE IN MM TOLERANCES: ANGLES: ± DEGREE LINEAR: ± MM (UNLESS SPECIFIED)	NAME	DATE (yy-mm-dd)	JOB TITLE:
			DRAWN TJP	10-03-04	
			CHECKED		
			ENG. APPR.		
			MFG APPR.		
			Q.A.		
			COMMENTS:		
NEXT ASST	USED ON	MATERIAL See Variant table			
		FINISH			
APPLICATION		DO NOT SCALE DRAWING			

MULTICONNECT™
by **NOCOM®**
888-225-2478 www.nocom.ca
MOI-RF-PWR4-DP
SCALE: 1:1 WEIGHT: SHEET 1 OF 1